

CARNIVAL KIDDIE JUMPER

An easy jumper for children, ideal for the advanced beginner wanting to make the move to garment knitting. Worked in the round wherever possible, this simple construction provides enough challenges to keep it interesting and at the same time it ensures minimal finishing. Happy knitting!



INGREDIENTS

FINISHED MEASUREMENTS

Chest circumference: **60 cm** (23.6").
To fit 4–6-year-old child.

YARN

Aran weight: MC (ie: variegated colour), 150g (approx. 340 metres);
CC (ie: solid colour), 100g (approx. 230 metres).

SUGGESTED NEEDLES

5 mm (40 cm) circular & DPNs; 4 mm (40 cm) circular & DPNs. Adjust needle size if necessary to obtain correct gauge.

NOTIONS

2 x stitch markers; stitch holders or scrap yarn; tapestry needle.

GAUGE

18 sts and 26 rows = 10 cm (4") in **stocking stitch** with **larger needles**.

STITCH GUIDE

STOCKING STITCH

When working **in the round**: k all rnds.

When working **flat**: k all rs rows and p all ws rows.

RIBBING 3X2

All rnds: *k3, p2*, repeat from * to * to end of rnd.

DIRECTIONS

The **body** of this sweater is worked in the round on circular needles from the **bottom up** to the arm holes, and then worked flat back and forth.

The **sleeves** are worked in the round on DPNs picking up stitches from the armholes, from the **top down**.

But now enough blabbing, let's start!

BODY

With **larger circular needles** and **CC** yarn, CO 110 sts. Making sure not to twist sts, pm to mark beg of rnd, join and work in the round.

Rnd 1: k55, pm, k to end of rnd. There should now be 2 stitch markers in place to mark side edges. Work **stocking stitch** for 5 rnds. Work **ribbing 3x2** for 5 rnds. Work **stocking stitch** for 1 rnd.

Change to **MC** yarn. Work **stocking stitch** until body measures **22.5 cm** (8.8") from CO edge [edge will roll approx 1 cm (0.3")].

SEPARATE FOR SLEEVES

K55. Put remaining 55 sts on hold on stitch holder or scrap yarn.

BACK

Continue with the same circular needles, but **working flat** back and forth, continue in **stocking stitch** until body measures 35.5 cm (13.9") from CO edge. Put sts on hold.

FRONT

Sl sts from stitch holder to larger circular needles, working flat back and forth, continue in stocking until body measures **28 cm** (11") from CO edge.

NECKLINE

K20, put 15 sts on hold, attach second MC ball and k remaining 20 sts to end of row. Using 2 MC balls, work both sides of neckline at same time. Decrease 1 st at neck edge on every rs row 3 times as follows:

LEFT SHOULDER

K to 5 sts before end, k2tog, k3.

RIGHT SHOULDER

K3, ssk, k to end of row.

After all decreases, there should be 17 sts either side of neckline. Continue working in **stocking stitch** until front measures same as back [**35.5 cm** (13.9") from CO edge].

JOIN SHOULDERS

With rs facing the inside, sl 17 sts from back on a larger DPN and 17 st from front on another larger DPN. Using **three-needle bind-off** and a third larger DPN, join sts. Repeat for other side.

NECK

With **smaller circular needles** and **CC** yarn, pu approx 68 sts around neckline as follows: 21 sts from back, 16 sts from right edge, 15 sts from front, and 16 sts from left edge. Work **stocking stitch** for 10 rows. BO loosely.

SLEEVES

With **larger DPNs** and **MC** yarn, starting at underarm join, pu 50 sts from armhole edge, pm, to mark beg of rnd.

* Work **stocking stitch** for 6 rnds.

Decreases rnd: k1, k2tog, k to 3 sts before end of rnd, ssk, k1.

*

Repeat last 7 rnds from * to * 6 more times, until there are 36 sts on the needles.

** Work **stocking stitch** for 5 rows.

Decreases rnd: k1, k2tog, k to 3 sts before end of rnd, ssk, k1.

**

Repeat last 6 rnds from ** to ** 2 more times, until there are 30 sts on the needles.

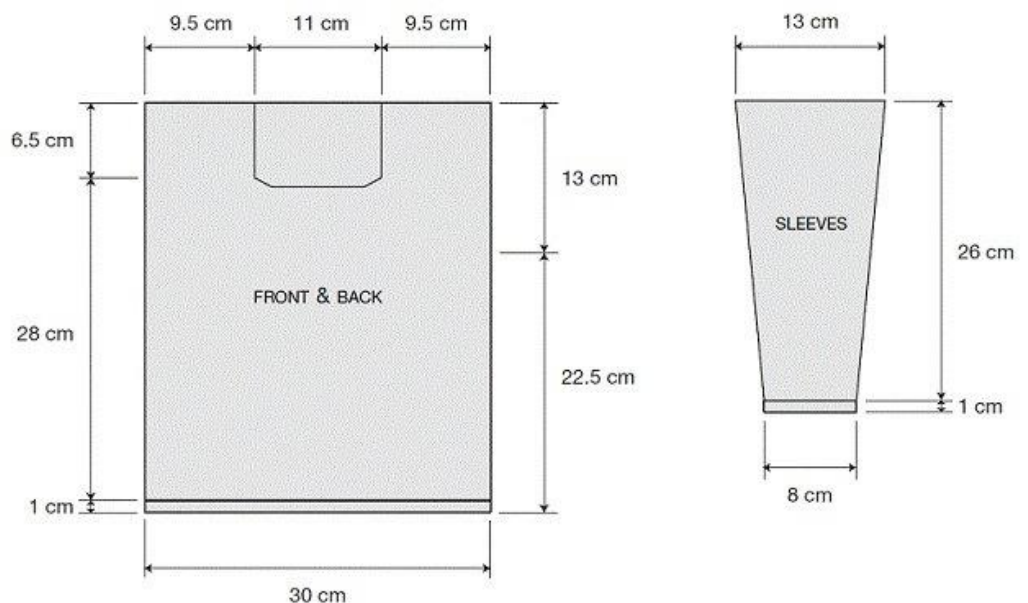
Work **stocking stitch** for 2 rnds. Switch to **smaller DPNs**.

Work **ribbing 3x2** for 5 rnds. Work **stocking stitch** for 6 rnds. BO loosely.

Repeat for **second sleeve**.

FINISHING

Using the tapestry needle, weave in ends. Lightly block to finished measurements. Give to your favourite kiddie to **wear and enjoy!** 😊



ABBREVIATIONS (A-Z)

beg=beginning; **BO**=bind-off (cast-off); **CO**=cast on; **DPN(s)**=double pointed needle(s); **k**=knit; **kwise**=knitwise; **k2tog**=knit 2 sts together; **p**=purl; **pm**=place marker; **pu**=pick-up; **pwise**=purlwise; **rnd(s)**=round(s); **rs**=right side; **sl**=slip; **ssk**=sl 1 st kwise, sl 1 st pwise, k bot sts together; **st(s)**=stitch(es); **ws**=wrong side.

More abbreviations at: annarella.co.uk/resources

THE SMALL PRINT

All Annarella patterns are provided on an AS-IS basis for your personal, non-commercial use. I do not have a pool of test knitters, and am only human, therefore, although I have tried to be as accurate as possible, this pattern may contain errors for which Annarella shall accept no responsibility. Should you spot any errors, please **let me know**. Do share this pattern but please leave the copyright notice in place. You may NOT sell Annarella pattern or use them for COMMERCIAL purposes without my prior written permission. For enquiries, please visit my website: annarella.co.uk, or find me on Ravelry, under the username: **annarella**.

Thanks for your co-operation & spread the love ♥

